

The RDA20 is a Dante™ audio network addressable and self-amplified ceiling speaker system. The speaker is powered by PoE+ network switch meaning no external power supply is required. The speaker includes a Class D amplifier which provides. Connect a network cable to communicate with the built-in Dante module to realize network audio signal transmission. By automatically assigning an IP address through the router DHCP, it can transmit signals with Dante's audio matrix in the LAN, and it is easy to set up a full digital network sound reinforcement system. Suitable for education, hospitals, small and medium-sized conference rooms, home theaters, restaurants, houses of worship and other places.

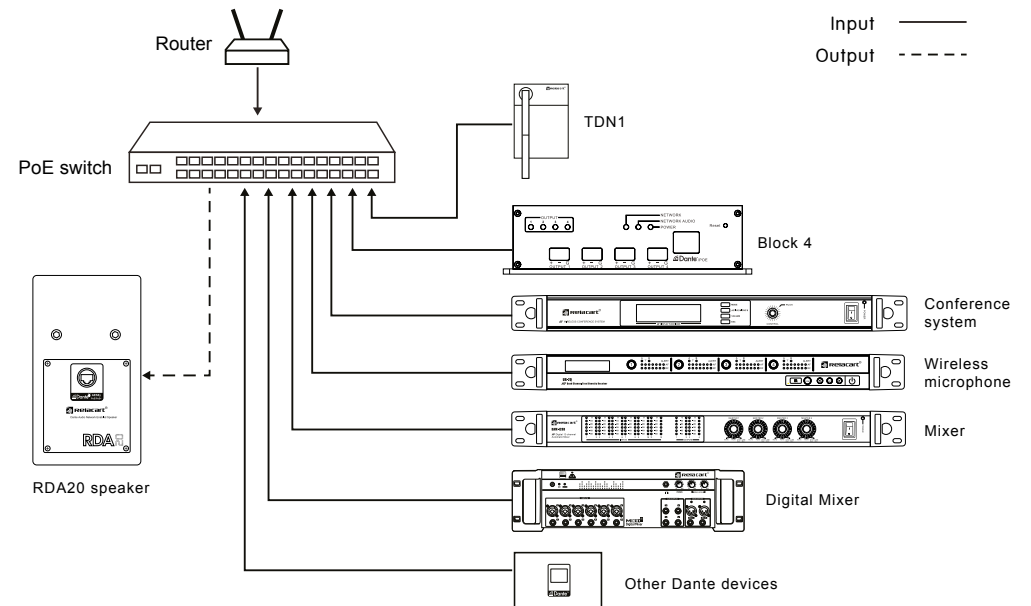
Features :

- RJ45 connection for audio from PoE+ Ethernet.
- Automatically assign an IP address through the router DHCP.
- It's a Dante™ audio network addressable and self-amplified ceiling speaker system.
- High efficiency, high sound output, excellent sound quality, perfect protection and good electromagnetic compatibility.
- Complete protection functions (short circuit protection, over current protection, over under protection, DC protection, over temperature protection, power limit, clipping limiter)

Specification :

Power supply:	standard PoE/PoE+
Supply voltage:	37V-57V
Output power:	PoE 10W/PoE + 20W
Frequency response (-3dB):	85Hz-17KHz
Sound Pressure Level output (-6dB):	110dB/aes continuous; 113dB / peak
Nominal Coverage angle:	horizontal/vertical 90 ° / 90 °
Input connector on active speaker:	RJ45
Size (mm):	132 (W) * 160 (D) * 236 (H)
Weight:	about 2.93Kg

Connection Diagram :



(Note: When changing the device name in the Dante controller, it must not exceed 15 characters, otherwise the speaker will not be recognized correctly by the software.)