

Speakers

Music Horns

IT-350/EN

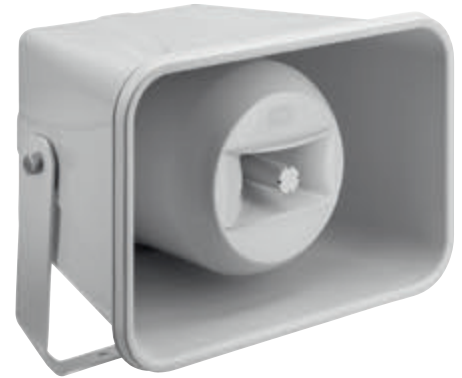
Order No. 0163950



Weatherproof horn speaker (music horn), 2-way technology and EN 54-24 certification

- 100 V transmission technology with 4 power taps: 30/15/7.5/3.75 W
- Weatherproof and IP66 certified
- High-quality music reproduction
- 16 cm bass-midrange speaker and 25 mm (1") horn
- Robust light grey ABS plastic housing
- Supplied with mounting bracket and stainless steel screws

Model	IT-350/EN
Total power rating	30 W
Power rating (RMS)	30/15/7.5/3.75 W
Frequency range	100-20,000 Hz
SPL	101 dB/W/m
Beam angle	H: 100°/V: 60°
Admiss. ambient temp.	-20 °C to +90 °C
Dimensions	370 x 250 x 330 mm
Weight	4.5 kg



IT-250TW

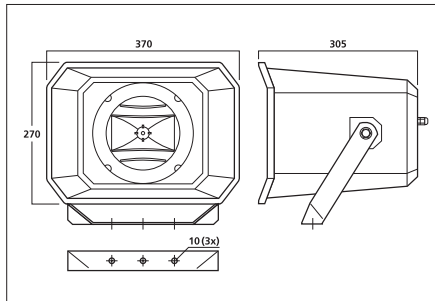
Order No. 0163190



Weatherproof horn speaker (music horn), 2-way technology

- 100 V transmission technology or 8 Ω operation
- IP66 certified
- High-performance music horn at an attractive price
- 16 cm bass-midrange speaker and 25 mm (1") horn
- ABS plastic housing
- Supplied with mounting bracket

Model	IT-250TW
Power rating (RMS)	50/25/12.5/9/4.5/3.5 W (100 V)
	50 W (8 Ω)
Frequency range	150-15,000 Hz
SPL	97 dB/W/m
Beam angle	H: 100°/V: 60°
Admiss. ambient temp.	-20 °C to +50 °C
Dimensions	370 x 270 x 305 mm
Weight	4.1 kg



IT-100TW

Order No. 0162570



Weatherproof horn speaker (music horn), 2-way technology

- 100 V transmission technology
- Weatherproof and IP66 certified
- Wideband sound with a distinct bass volume
- 13 cm bass-midrange speaker and 25 mm (1") horn
- Suitable for indoor and outdoor applications
- Robust plastic housing of very low resonance
- Supplied with stainless steel mounting bracket
- 4 power taps, connection via screw terminals

Model	IT-100TW
Power rating (RMS)	30/15/7.5/3.75 W
Frequency range	100-20,000 Hz
SPL	99 dB/W/m
Beam angle	H: 110°/V: 60°
Admiss. ambient temp.	-20 °C to +50 °C
Dimensions	310 x 215 x 330 mm
Weight	4.42 kg

