

TXA-820

Order No. 0179050

TXA-820CD

Order No. 0179060

TXA-822CD

Order No. 0179070



Portable amplifier system, with integrated multifrequency receiver unit with UHF PLL technology (863-865 MHz) and Bluetooth receiver.

- Operation via mains connection or built-in rechargeable lead gel battery 2 x 12 V/4.5 Ah (operating time: up to 5 hours), integrated automatic battery charging with charging status indication, discharge protection
- For mobile applications, e.g. sales events, lectures
- Efficient 2-way speaker system
- 1 microphone input via comb. jack (XLR/6.3 mm), 1 microphone input (6.3 mm jack), 1 stereo line input (RCA), 1 aux input (3.5 mm jack), each input can be adjusted
- Common master control, 2-way tone control
- 1 stereo output (RCA), 1 aux output (3.5 mm jack)
- Switchable microphone priority circuit
- Due to an extractable telescopic handle and 2 castors, the amplifier system can easily be pulled like a trolley
- Stand sleeve

Licence-free in the EU.

TXA-820:

- Amplifier system with 1-channel wireless receiver
- 16 selectable UHF frequencies (863-865 MHz) with diversity system

TXA-820CD:

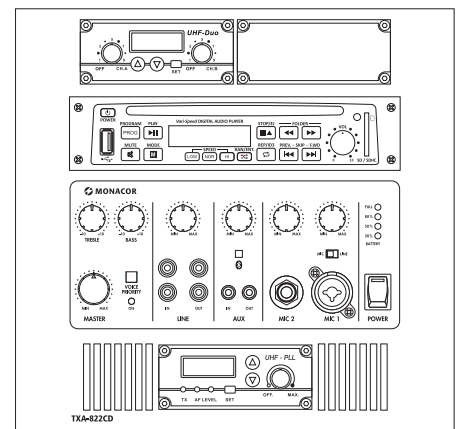
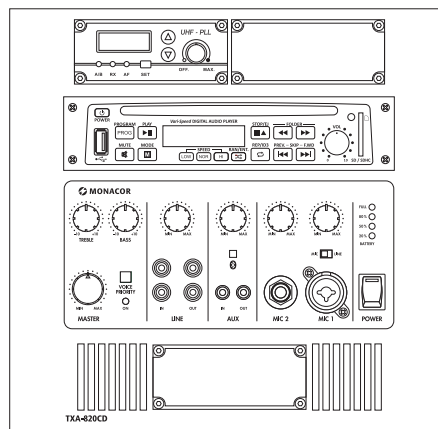
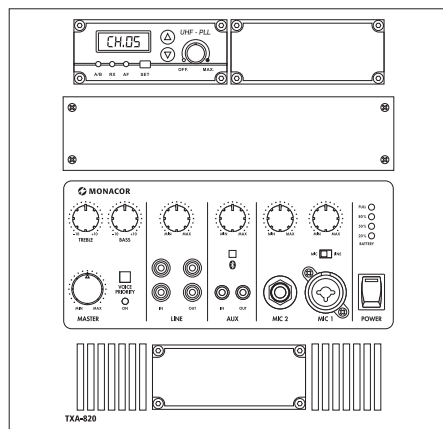
- Amplifier system with 1-channel wireless receiver
- 16 selectable UHF frequencies (863-865 MHz) with diversity system
- CD player with anti-shock system, MP3 reproduction and slot-in mechanism
- SD card reader, USB interface
- Pitch control function
- Supplied with remote control for CD player

TXA-822CD:

- Amplifier system with 2-channel wireless receiver
- 2 x 16 selectable UHF frequencies (863-865 MHz)
- CD player with anti-shock system, MP3 reproduction and slot-in mechanism
- SD card reader, USB interface
- Pitch control function
- Supplied with remote control for CD player
- 1 radio transmitter for wireless audio link operation of several TXA-820 systems



Matching microphone transmitters or pocket transmitters are available at option, e.g. TXA-800HSE, TXA-800HT or ATS-12HT.



Model	TXA-820	TXA-820CD	TXA-822CD
Rated power (P _{RMS})	50 W	50 W	50 W
Peak output power	80 W	80 W	80 W
Frequency range	70-17,000 Hz	70-17,000 Hz	70-17,000 Hz
Carrier frequency	863-865 MHz	863-865 MHz	863-865 MHz
Operating range	≈ 30 m	≈ 30 m	≈ 30 m
Inputs	6 mV (mic), 300 mV (line)	6 mV (mic), 300 mV (line)	6 mV (mic), 300 mV (line)
Link	optional (TXA-820MT)	optional (TXA-820MT)	wireless
Max. SPL	114 dB	114 dB	114 dB
Equalizer, bass	±10 dB/100 Hz	±10 dB/100 Hz	±10 dB/100 Hz
Equalizer, treble	±10 dB/10 kHz	±10 dB/10 kHz	±10 dB/10 kHz
Power supply	~ 230 V/50 Hz/130 VA, rech. battery 2 x 12 V/4.5 Ah	~ 230 V/50 Hz/130 VA, rech. battery 2 x 12 V/4.5 Ah	~ 230 V/50 Hz/130 VA, rech. battery 2 x 12 V/4.5 Ah
Admiss. ambient temp.	0-40 °C	0-40 °C	0-40 °C
Dimensions	305 x 510 x 265 mm	305 x 510 x 265 mm	305 x 510 x 265 mm
Weight	14.5 kg	15.5 kg	15.5 kg
Connections	1 x XLR/6.3 mm jack (mic/line), 1 x 6.3 mm jack (mic) 1 x RCA L/R (line out), 1 x 3.5 mm jack (line out)	1 x XLR/6.3 mm jack (mic/line), 1 x 6.3 mm jack (mic) 1 x RCA L/R (line out) 1 x 3.5 mm jack (line out)	1 x XLR/6.3 mm jack (mic/line), 1 x 6.3 mm jack (mic) 1 x RCA L/R (line out), 1 x 3.5 mm jack (line out)