

# Speakers

## Wall and Ceiling Speakers

### SPE-8U

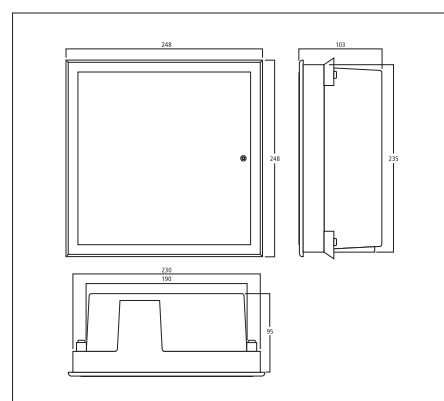
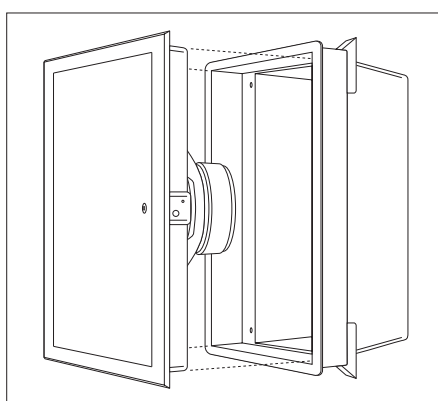
Order No. 10.5640



#### Hi-fi wall and ceiling speaker for flush mounting, 8 Ω

- High-quality 2-way coaxial speaker system with excellent sound characteristics
- 20 cm (8") bass speaker with glass fibre cone, 24 mm (1") dome tweeter with titanium cone
- Plastic tray for flush mounting in walls or solid ceilings
- Required hole in wall: approx. 242 x 242 x 100 mm
- Metal front grille with plastic frame

Model	SPE-8U
Frequency range	70-20,000 Hz
Resonant frequency (fs)	60 Hz
Power rating (RMS)	30 W
Peak music power output (MAX)	60 W
Sensitivity	89 dB/W/m
Mounting cutout	242 x 242 mm
Dimensions	248 x 248 x 100 mm
Weight	1.6 kg



### SPE-32/WS

Order No. 10.5630



### SPE-22/WS

Order No. 10.5620



### SPE-17/WS

Order No. 10.5610



### SPE-15/WS

Order No. 10.5600



#### Hi-fi wall and ceiling speakers, 8 Ω

- 2-way version with dome tweeter (movable with SPE-17/WS, SPE-22/WS and SPE-32/WS)
- Plastic housing with protective metal grille
- ABS plastic material, self-extinguishing according to UL 94V-0
- Excellent sound characteristics
- For a wall thickness/ceiling thickness from 8 to 35 mm



Model	SPE-32/WS	SPE-22/WS	SPE-17/WS	SPE-15/WS
Frequency range	40-20,000 Hz	50-20,000 Hz	55-20,000 Hz	60-20,000 Hz
Resonant frequency (fs)	37 Hz	51 Hz	59 Hz	90 Hz
Power rating (RMS)	50 W	40 W	30 W	25 W
Peak music power output (MAX)	100 W	80 W	60 W	50 W
Sensitivity	89 dB/W/m	88 dB/W/m	87 dB/W/m	87 dB/W/m
Mounting cutout	330 x 225 mm	275 x 190 mm	270 x 185 mm	115 x 190 mm
Dimensions	358 x 256 x 97 mm	306 x 220 x 87 mm	300 x 214 x 75 mm	146 x 220 x 70 mm
Weight	2.19 kg	1.9 kg	1.4 kg	0.83 kg

