

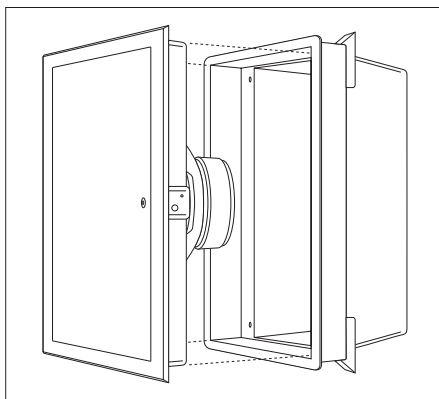
### ESP-8U

Order No. 16.2170

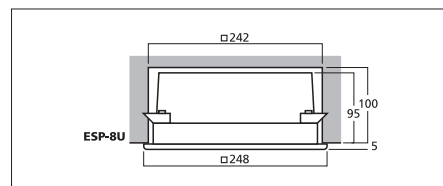
100V

#### PA wall and ceiling speaker for flush mounting

- 100 V line technique via audio transformer with 3 power taps
- Perfect sound presence for a powerful voice reproduction with a very high audibility
- 20 cm speaker of very sensitivity (99 dB/W/m)
- Plastic tray for flush mounting in walls or solid ceilings
- Required hole in wall: approx. 242 x 242 x 100 mm
- Metal front grille with plastic frame



Model	ESP-8U
Frequency range	200-17,000 Hz
Power rating (RMS)	6/3/1.5 W
Sensitivity	99 dB/W/m
Mounting cutout	242 x 242 mm
Dimensions	248 x 248 x 100 mm
Weight	1.7 kg



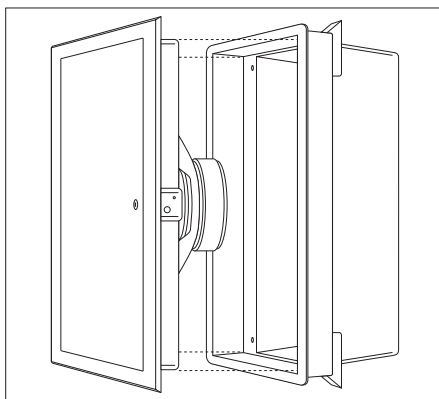
### ESP-5U

Order No. 16.2160

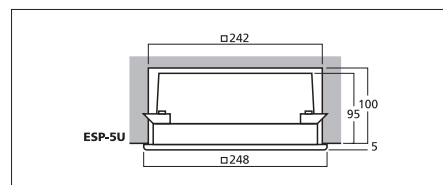
100V

#### PA wall and ceiling speaker for flush mounting

- 100 V line technique via audio transformer with 3 power taps
- Wide bandwidth radiation for a pleasant music reproduction
- 13 cm speaker of high efficiency (94 dB/W/m)
- Plastic tray for flush mounting in walls or solid ceilings
- Required hole in wall: approx. 242 x 242 x 100 mm
- Metal front grille with plastic frame



Model	ESP-5U
Frequency range	100-19,000 Hz
Power rating (RMS)	6/3/1.5 W
Sensitivity	94 dB/W/m
Mounting cutout	242 x 242 mm
Dimensions	248 x 248 x 100 mm
Weight	1.4 kg



### ESP-32/WS

Order No. 16.1680

100V

### ESP-22/WS

Order No. 16.1670

100V

### ESP-17/WS

Order No. 16.1660

100V

### ESP-15/WS

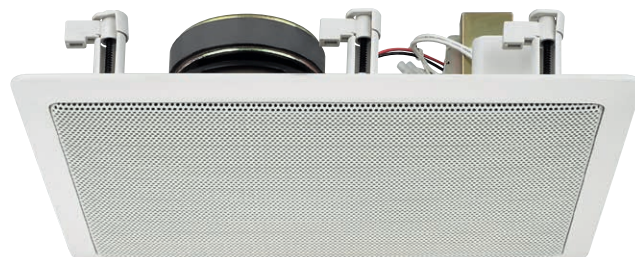
Order No. 16.1550

100V

#### PA hi-fi wall and ceiling speakers

- 100 V line technique, 2-way version with dome tweeter (movable with ESP-17/WS, ESP-22/WS and ESP-32/WS)
- Plastic housing with protective metal grille

- ABS plastic material, self-extinguishing according to UL 94V-0
- Excellent sound characteristics
- For a wall thickness/ceiling thickness from 8 to 35 mm



Model	ESP-32/WS	ESP-22/WS	ESP-17/WS	ESP-15/WS
Frequency range	40-20,000 Hz	50-20,000 Hz	55-20,000 Hz	60-20,000 Hz
Power rating (RMS)	30/15/7.5/4/2 W	20/15/10/5/2.5 W	15/7.5/4/2/1 W	15/7.5/4/2/1 W
Sensitivity	89 dB/W/m	88 dB/W/m	87 dB/W/m	87 dB/W/m
Mounting cutout	330 x 225 mm	275 x 190 mm	270 x 185 mm	115 x 190 mm
Dimensions	358 x 256 x 100 mm	306 x 220 x 100 mm	300 x 214 x 90 mm	146 x 220 x 70 mm
Weight	2.8 kg	2.6 kg	1.9 kg	1.3 kg

